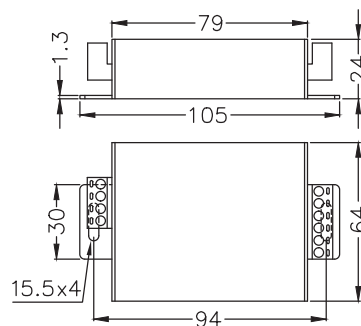


# CTA001.00

Amplificatore di segnale per RGB controller  
*Amplifier for RGB controller*



Per strip LED e schede LED RGB e singolo colore.  
 Abbinabile a controller **CTF001.00** e **CTF002.01**.

*For RGB or single colour LED strip and RGB LED board.  
 Combinable with **CTF001.00** and **CTF002.01** controller.*

<b>Input (Vdc)</b>	12-24V
<b>Output (Vdc)</b>	12-24V
<b>Max Load (A)</b>	4A x 3ch
<b>Max Load (W)</b>	144W (12V) / 288W (24V)

RGB controller **CTF001.00 - CTF002.01** e amplificatore **CTA001.00**  
 RGB controller code **CTF001.00 - CTF002.01** and amplifier code **CTA001.00**

